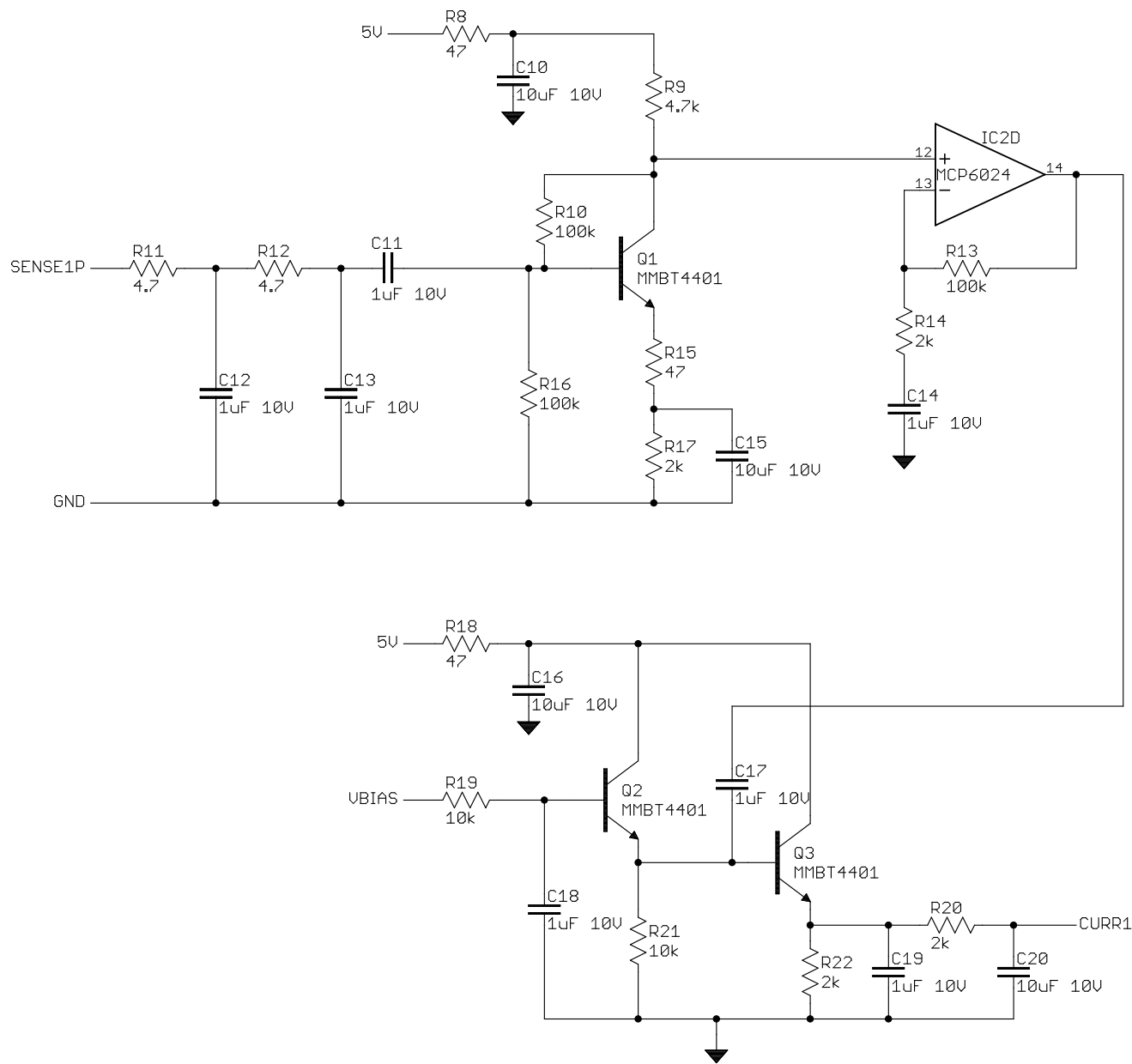
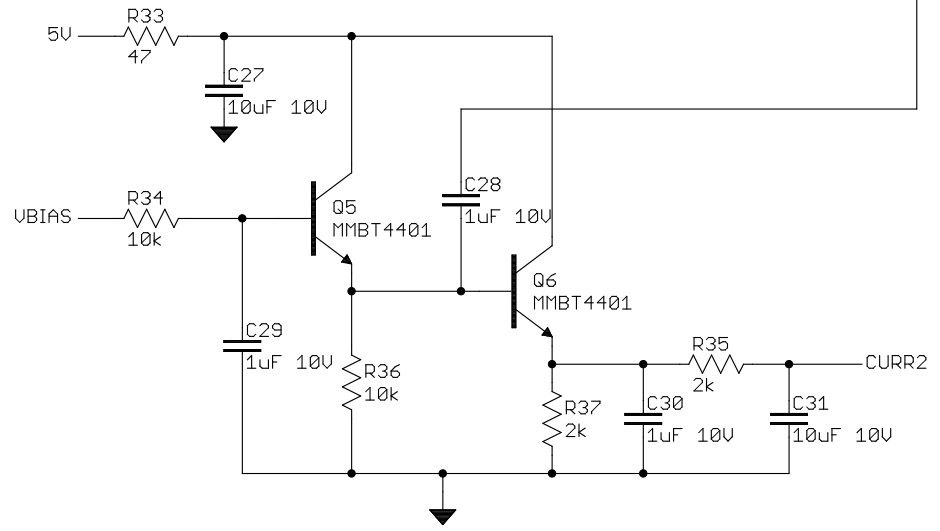
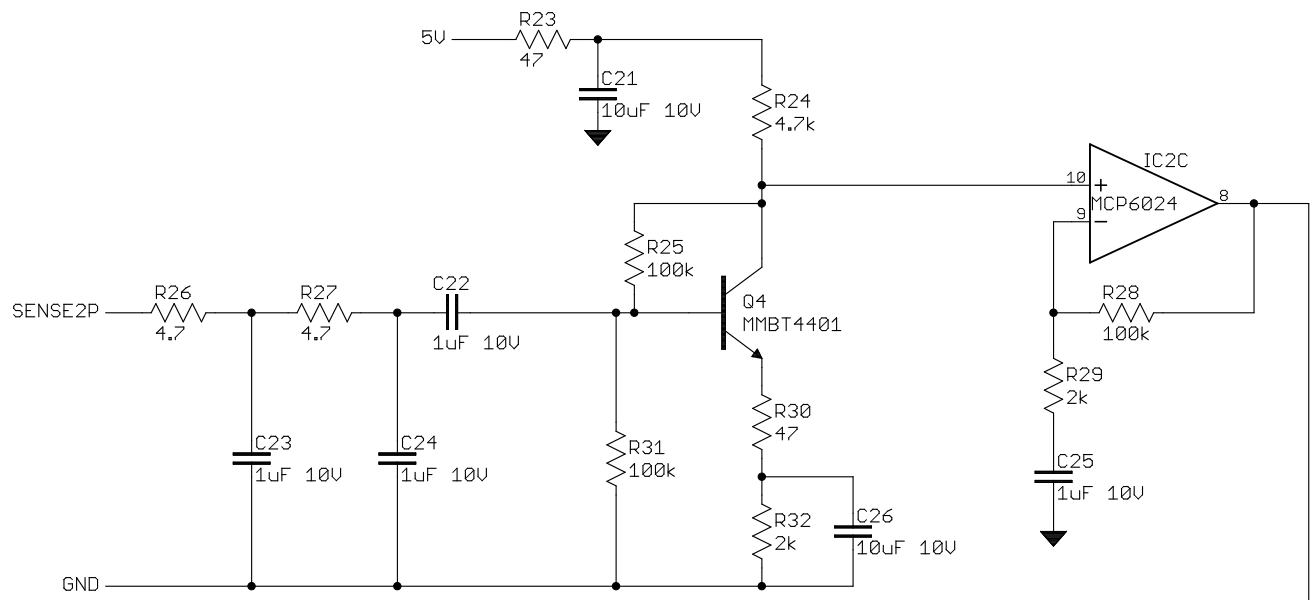
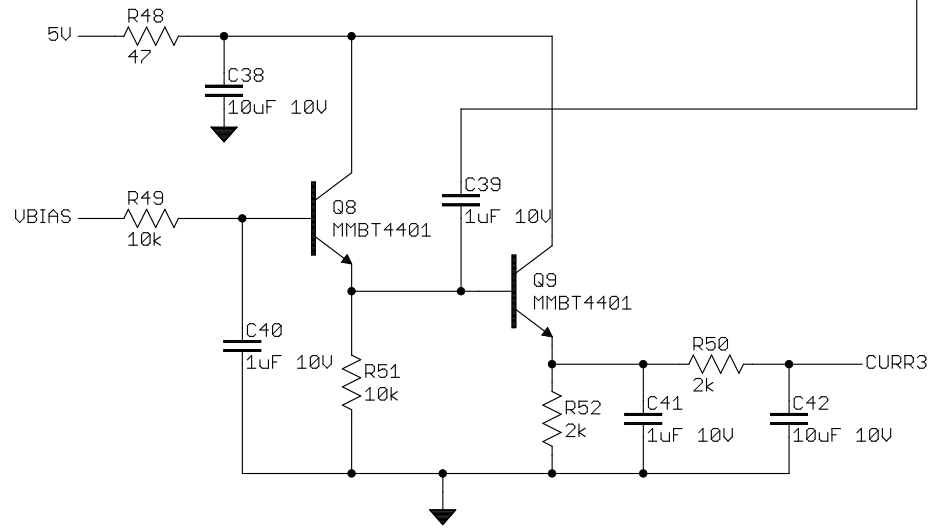
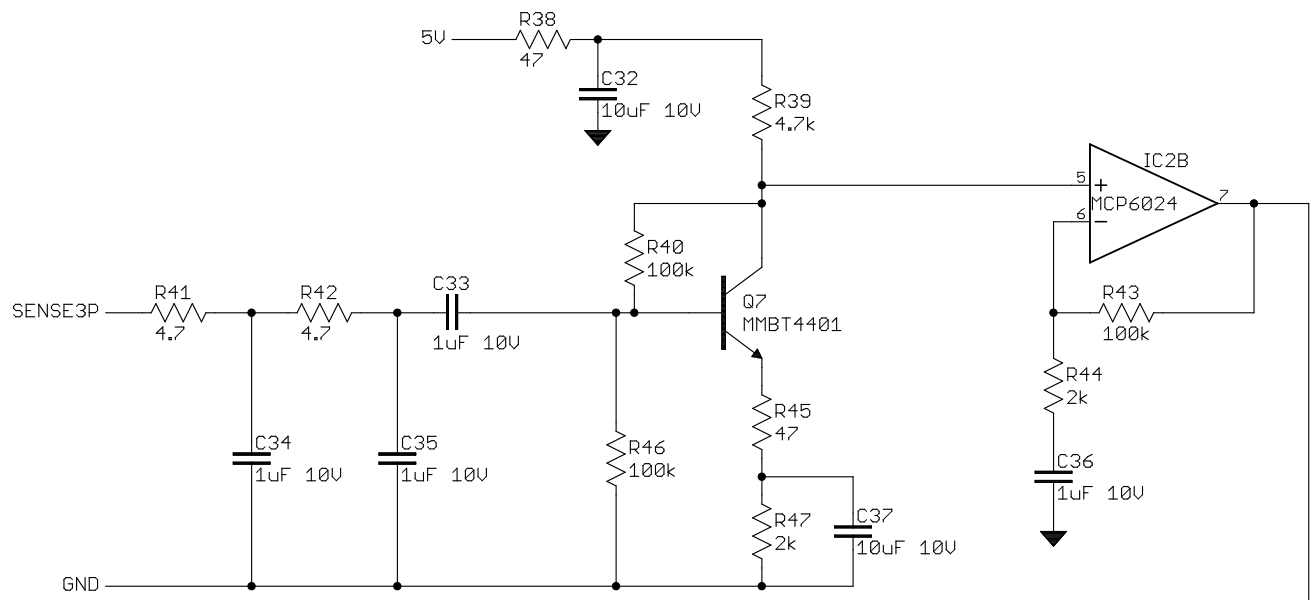


Project: occ5                      Sheet 1/7  
 Last Changed: 2012-07-14 11:43:34  
 DCC connections, power supply

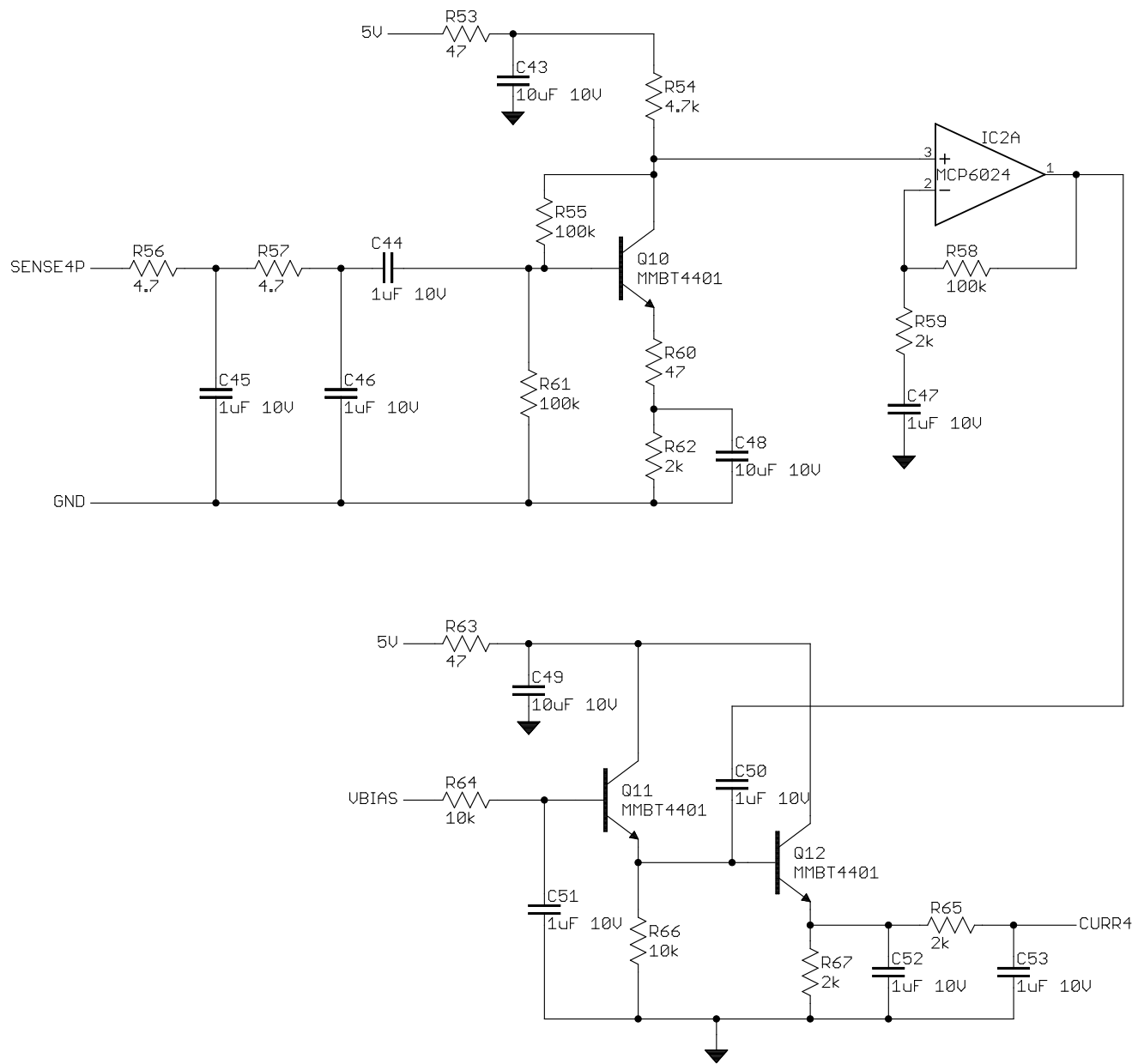


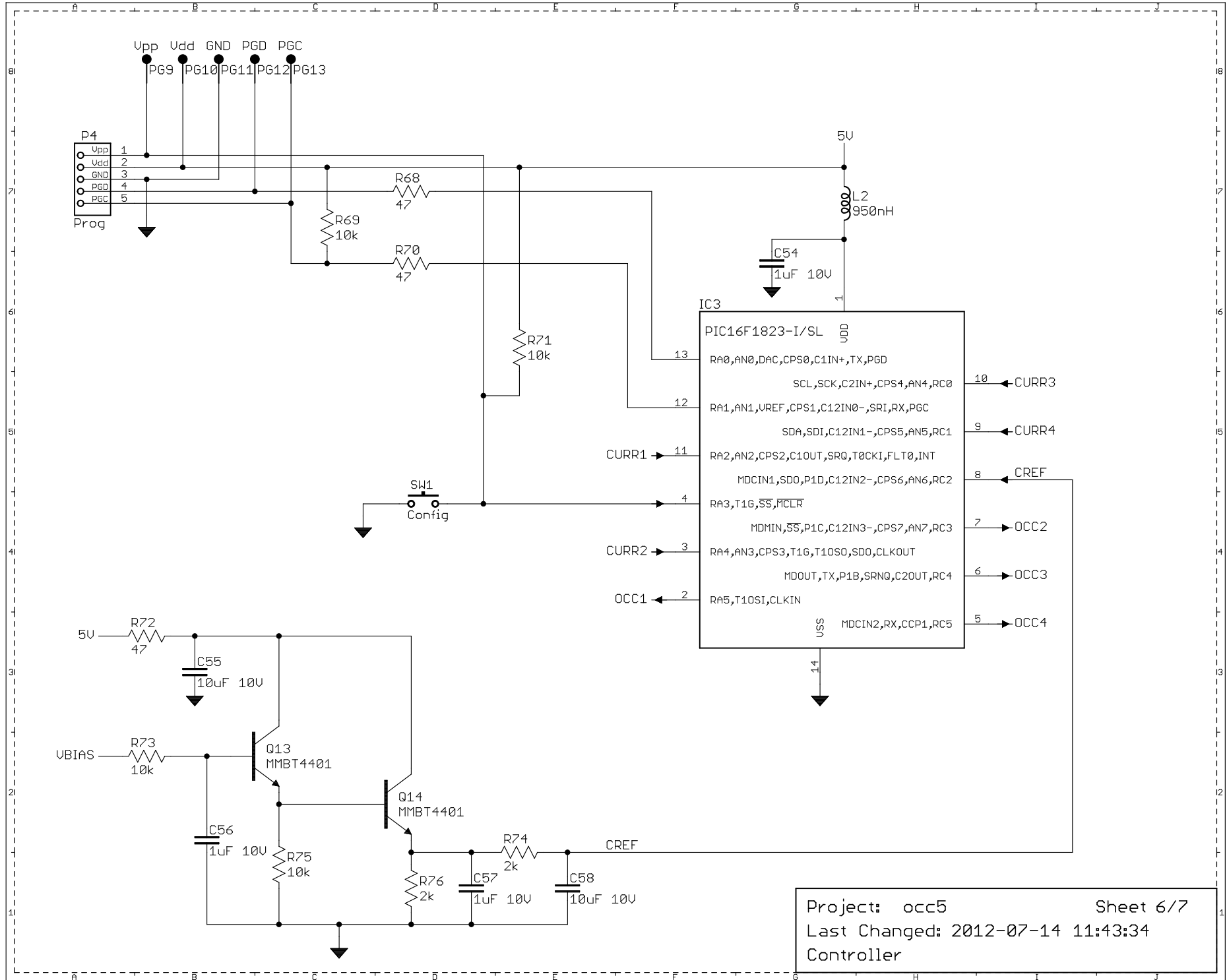


Project: occ5 Sheet 3/7  
 Last Changed: 2012-07-14 11:43:34  
 Channel 2 current sense

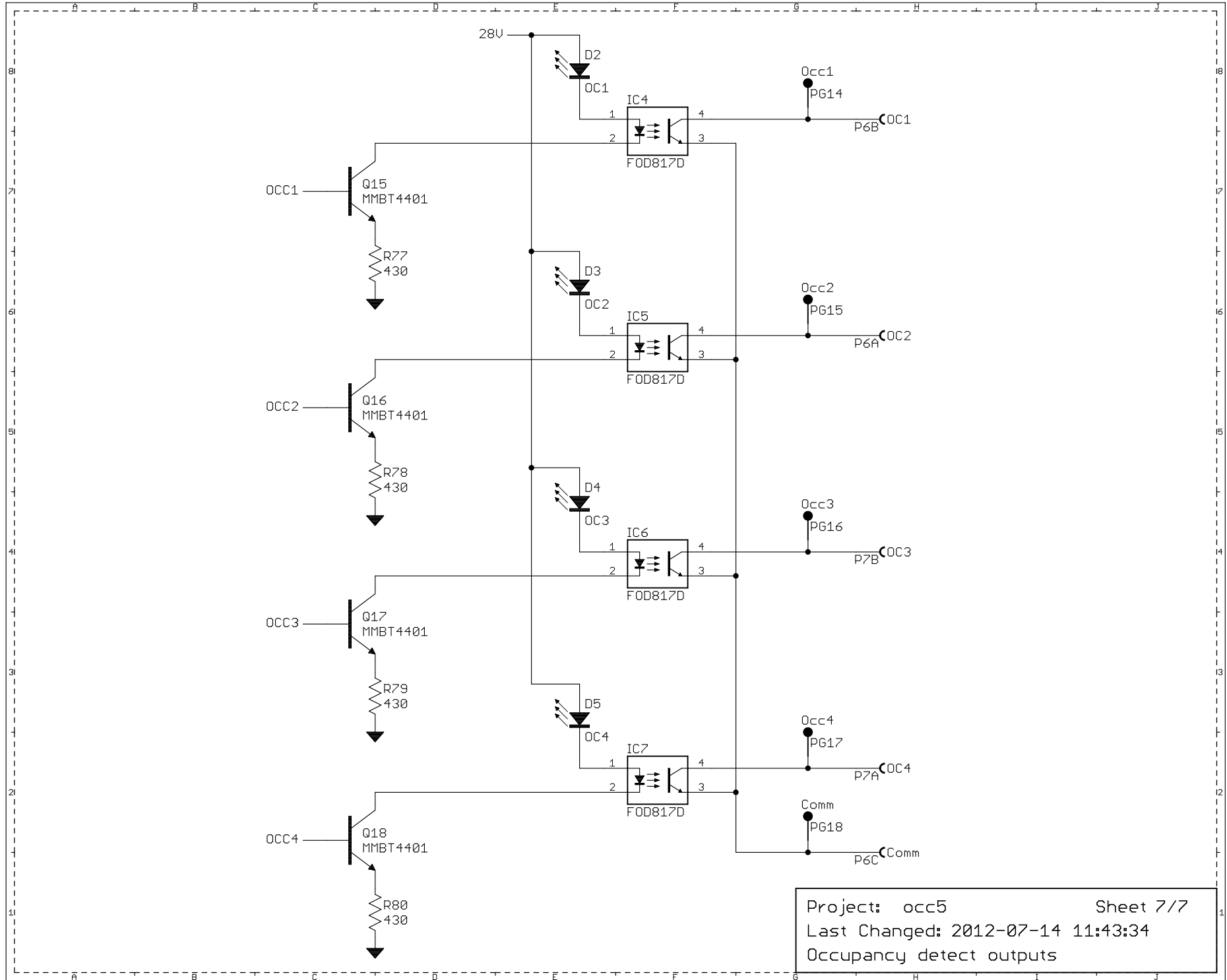


Project: occ5 Sheet 4/7  
 Last Changed: 2012-07-14 11:43:34  
 Channel 3 current sense





Project: occ5      Sheet 6/7  
 Last Changed: 2012-07-14 11:43:34  
 Controller



Project: occ5 Sheet 7/7  
 Last Changed: 2012-07-14 11:43:34  
 Occupancy detect outputs